



52L SERIES

MicroManifold

The 52L Series MicroManifold is a flexible non-corrosive gas distribution system that can be configured as a gas or vent manifold. Configured as a gas manifold, the 52L offers excellent gaseous flow capacity from either liquid cans or high-pressure cylinders to a CONCOA pressure control device. Configured as a vent manifold, the 52L equalizes the head space pressure of each liquid cylinder manifolded together. This allows each cylinder to withdraw equally and operate at maximum flow capacity with minimal losses.

Advanced Features

- Vent manifold excess flow orifices prevent hoses from whipping
- Safety disk protects manifold from over-pressurization
- Compact modular design provides simple field expandability
- Multiple cylinder hose options with universal gas compatibility
- Integrated 1/2" MPT connector that reduces potential leak sites
- A flexible design that can be used with 538, 539, 542, and 544 series switchovers or as a vent kit for 577 cryogenic system.



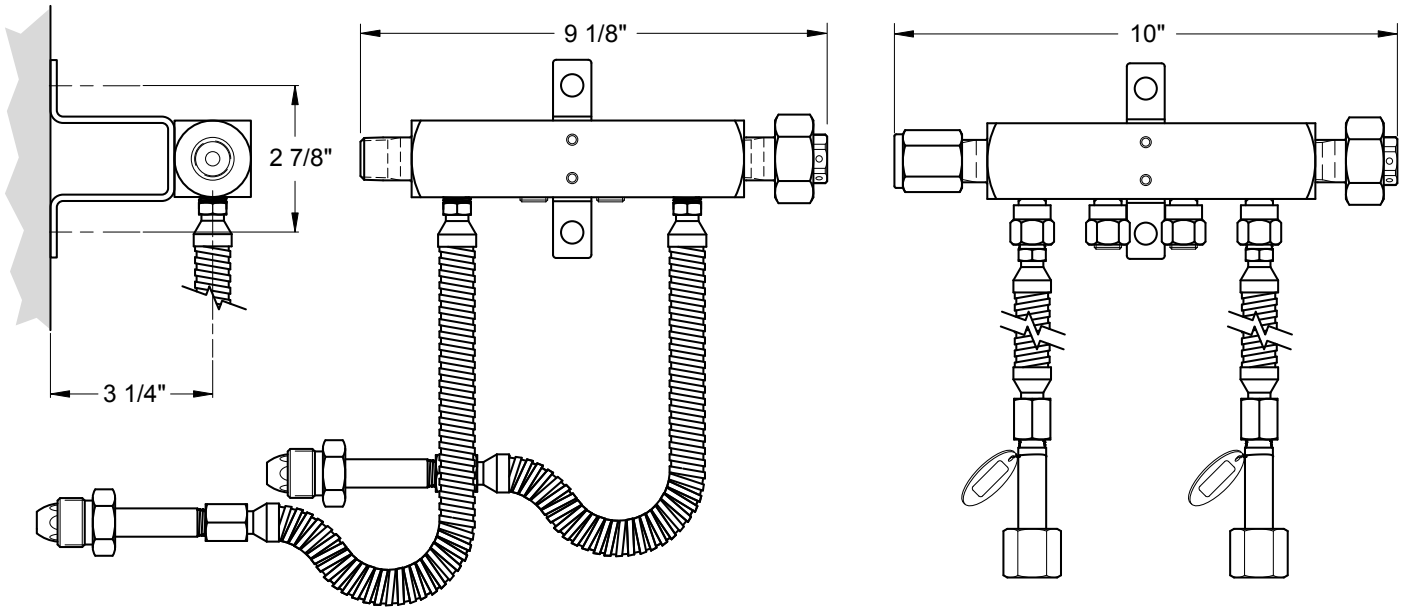
52L 1053-580 Shown

Applications	Materials	Specifications
<p>Gas Delivery and Vent Manifold from Liquid Cylinder Supply Argon, Carbon Dioxide, Nitrogen, and Oxygen</p> <p>Gas Delivery from High Pressure Cylinder Supply Air, Argon, Carbon Dioxide, Helium, and Oxygen</p> <p>Expandable System Future growth capability</p> <p>High Flow Gas Installations Laboratory building main supply Large incubator installations High flow purge gas supply Bioreactor supply</p>	<p>Body Brass barstock body</p> <p>Flexible Hoses 316L stainless steel Monel® inner core for oxygen service</p>	<p>Maximum Inlet Pressure 3000 PSIG (210 BAR) 4500 PSIG (310 BAR) Optional</p> <p>Temperature Range 0°F to 140°F (-18°C to 60°C)</p> <p>Inlet Connection Four 1/4" FPT One 1/2" FPT</p> <p>Outlet Connection 1/2" MPT</p> <p>Weight (manifold and mounting bracket) 4.20 lbs. (1.91 kg)</p>

Manifolds



Dimensions



52L-1152-580 MicroManifold

52L-21A2-295 Vent MicroManifold

DISTRIBUTION SYSTEMS

Ordering Information

52L	A	B	C	D	Inlet
Series 52L	Manifold Type (Gauge)	Orientation	Hoses Style	Cylinder side	Connection
	1: Gas MicroManifold (No gauges)	0: Simplex right bank	0: No hose	1: One	Please specify inlet connection. Use -001 for hoses option 0.
	2: Vent MicroManifold (No gauges)	1: Simplex left bank	3: 72" (1800mm) flexible stainless steel core and armor cased**	2: Two	
	3: Gas MicroManifold (0-400 PSIG/0-2500 kPa gauges)	2: Duplex right and left bank	5: 36" (900mm) flexible stainless steel core and armor cased**	3: Three	CGA DIN 477 BS 341 and others available
	4: Gas MicroManifold (0-600 PSIG/0-40 BAR gauges)	3: Simplex right bank with pressure switch gauge*	7: 24" (600mm) flexible stainless steel core and armor cased**	4: Four	
	5: Gas MicroManifold (0-4000 PSIG/0-2500 kPa gauges)	4: Simplex left bank with pressure switch gauge	A: 72" (1800mm) flexible PTFE-lined, stainless steel braided for liquid cylinder vent use†	5: Five	Use CGA 295, 440, or 622 for hose style A
	6: Gas MicroManifold (0-4000 PSIG/0-280 BAR gauges)	5: Duplex right and left bank with pressure switch gauge*	K: 72" (1800mm) stainless steel core and armor cased††	6: Six	
	7: Gas MicroManifold (0-6000 PSIG/0-40,000 kPa gauges)	*Valid with A = 4, 6, and 8	L: 36" (900mm) stainless steel core and armor cased††	7: Seven	
	8: Gas MicroManifold (0-6000 PSIG/0-420 BAR)		**Valid with A= 1, 3, 4, 5, and 6 †Valid with A = 2 ††Valid with A = 1, 7, and 8	8: Eight	
				0: Zero	

Options and Hoses

Option	Order Number	Description
Burst Disk Kit	829-9960	1/2" MPT replacement burst disk kit
Floor Stand	830-7437	Single manifold floor stand provides support for up to two consecutive manifold extensions