



Pressure Differential Switchovers

526 SERIES

Switchover

The 526 Series Switchover is an automatic switchover system designed to supply a continuous supply of high purity, non-corrosive gas. The system comes with either flexible hoses for use with two cylinders or manifold connectors for use with the Maniflex Modular Manifold System. Due to pressure differential considerations, an integral line regulator is available to maintain constant downstream pressure.

Typical Applications

- Ultra-high purity gases
- Gas chromatograph carrier and support gases
- AA grade acetylene
- Cell culture incubator Carbon Dioxide and Nitrogen
- Pure and mixed process gases
- Central gas supply system for laboratory, research or process plants



526 4111 shown with attached flexible hoses. Available with optional remote alarm.

Features

- 400 Series Brass Barstock Regulators**
CAPSULE® seat
- Metal-to-Metal Diaphragm Seal**
No possibility of gas contamination
- User-Friendly**
One knob switches cylinder priority
- Check Valves in Hose Inlet Glands**
Prevents contamination and back flow
- Compatible with Maniflex Manifolds**
Multiple cylinders per side
- Optional Line Regulator**
Stable line pressure during change over
- Optional Remote Alarm**
Easy integration with Advantium system
CE marked universal voltage alarm
- Optional Purge Valves**
Allows purging after cylinder change over
- Optional Outlet Valve**
Allows isolation of pipeline

Materials

- Bodies**
Brass barstock
- Diaphragms**
316L stainless steel
- Seats**
PTFE (line regulators)
PCTFE (inlet regulators)
- Filters**
10 micron sintered bronze
- Internal Seals**
PTFE

Specifications

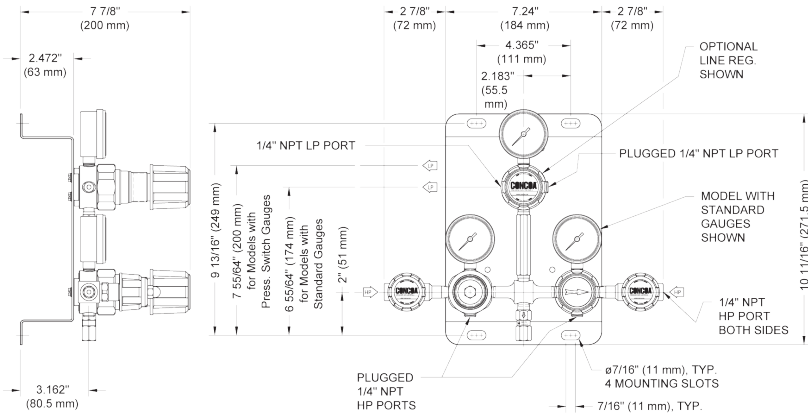
- Maximum Inlet Pressure**
3000 PSIG (210 BAR)
4500 PSIG (310 BAR) optional
- Temperature Range**
-40°F to 140°F (-40°C to 60°C)
- Gauges**
2" (53mm) diameter brass
- Outlet Connection**
1/4" MPT (without line regulator)
1/4" FPT (with line regulator)
- Helium Leak Integrity**
1 x 10⁻⁸ scc/sec
- Cv**
0.1
- Weight**
8.25 lbs. (3.71 kg)

Pressure Differential Switchovers

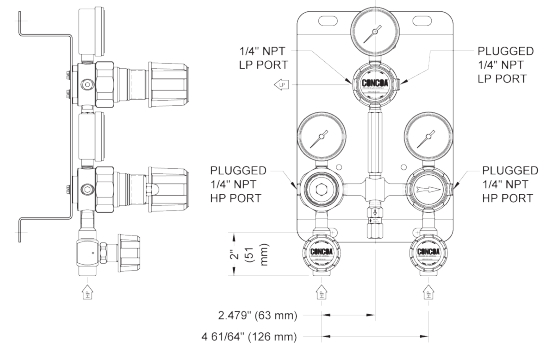


Installation Information

Diaphragm Valves on Side Ports



Diaphragm Valves on Bottom Ports



DISTRIBUTION SYSTEMS

Ordering Information

526	A	B	C	D	-CON	Optional
Series 526	Switching Pressure (Priority R/L)	Inlet Connection	Line Regulator	Assembly	Hose	
	1: 125/105 PSIG* (8.4/7.1 BAR)	0: 1/4" FPT ports	0: None	1: 0-4000 PSIG/0-28,000 kPa gauges no alarm capability*	Please specify inlet connection (if applicable)	A: Outlet valve
	2: 70/50 PSIG* (4.8/3.5 BAR)	1: 36" (900mm) stainless steel flexible hoses	1: 0-15 PSIG (0-1 BAR)	2: 0-275 BAR/0-4000 PSIG gauges no alarm capability*		B: Outlet valve and purge valve
	3: 100/75 PSIG (6.8/5.1 BAR)	2: Manifold connectors*	2: 0-50 PSIG (0-3.5 BAR)	4: 0-275 BAR/0-4000 PSIG with pressure switches and remote alarm (110/220 VAC)*†	CGA DIN 477 BS 341 and others available	V: Purge valves
	4: 200/170 PSIG (13.5/11.5 BAR)	3: 24" (600mm) stainless steel flexible hoses	3: 0-100 PSIG (0-7 BAR)	5: 0-40 BAR/0-600 PSIG gauges no alarm capability		
	5: 500/470 PSIG (33.8/31.8 BAR)	4: Diaphragm valves with 1/4" FPT port	4: 0-250 PSIG (0-17 BAR)	7: 0-40 BAR/0-600 PSIG with pressure switches and remote alarm (110/220 VAC)†		
	7: 150/130 PSIG (10.1/8.8 BAR)	5: Diaphragm valves with 36" (900mm) hoses	5: 0-400 PSIG (0-27 BAR)	8: 0-275 BAR/0-4000 PSIG* with pressure switches and without remote alarm†		
	8: 300/270 PSIG (20.3/22.3 BAR)	6: Diaphragm valves with manifold connectors*	7: 0-150 PSIG (0-10 BAR)	9: 0-40 BAR/0-600 PSIG with pressure switches and without remote alarm		
	<i>*Not available with 4500 PSIG (310 BAR) inlet</i>	7: Diaphragm valves with 24" (600mm) hoses	A: 0-15 PSIG (0-1 BAR) redline for acetylene	<i>*0-6000 PSIG/415 BAR gauges with 4500 PSIG (310 BAR) maximum inlet option</i>		
	<i>Note: switching pressure must be higher than line regulator pressure selected in column C.</i>	8: 36" (900mm) stainless steel flexible hoses and 4500 PSIG (310 BAR) maximum inlet pressure		<i>†Intrinsic safety barriers are required for flammable gas service or for use in hazardous environments.</i>		
		9: 1/4" FPT ports and 4500 PSIG (310 BAR) maximum inlet pressure				
		A: 36" (900mm) stainless steel flexible hoses with flashback arrestor for acetylene				
		B: 36" (900mm) stainless steel flexible hoses with flashback arrestor for acetylene and with diaphragm valve				
		C: Compact manifold connector*				
		D: Diaphragm valves with compact manifold connectors*				
		<i>*See pages 70-71 for manifold ordering information</i>				