



Pressure Differential Switchovers

515 SERIES

SilcoNert™ 1020 Switchover

The 515 Series SilcoNert 1020 is an automatic switchover system designed to deliver a continuous supply of reactive, corrosive, or high purity gases for calibration, instrument support, or process control. The proprietary amorphous Silicon surface finish provides extreme inertness and corrosion resistance over 316L stainless steel. To maintain constant downstream pressure, an integral line regulator option is available.



515 4111 shown with attached flexible hoses. Available with optional remote alarm.

Typical Applications

- Reactive calibration standard
- Emissions monitoring
- Hydrogen Sulfide and reduced sulfur calibration standards
- Mercury calibration standards
- Low level sulfur in hydrocarbon gas control
- Corrosive gases
- Ultra high purity instrument pure gases

Features

- 400 Series Stainless Steel Regulators**
CAPSULE® seat
- Metal-to-Metal Diaphragm Seal**
No possibility of gas contamination
- User-Friendly Priority Valve**
One knob switches cylinder priority
- Check Valves in Inlet Gland**
Prevents contamination and back flow.
- Optional Line Regulator**
Stable line pressure during change over
- Optional Remote Alarm**
Easy integration with Advantium system
CE-marked universal voltage alarm

Materials

- Bodies**
SilcoNert 1020
- Bonnets**
Chrome-plated brass barstock
- Diaphragms**
SilcoNert 1020
- Seats**
PTFE (line regulators)
PCTFE (inlet regulators)
- Filters**
10 micron SilcoNert 1020 mesh
- Internal Seals**
PTFE

Specifications

- Maximum Inlet Pressure**
4500 PSIG (310 BAR) limited by peripherals and cylinder standard
- Temperature Range**
-40°F to 140°F (-40°C to 60°C)
- Gauges**
2" (53mm) diameter stainless steel (bourdon tube not treated)
- Outlet Connection**
1/4" MPT (without line regulator)
1/4" FPT (with line regulator)
- Helium Leak Integrity**
1 x 10⁻⁸ scc/sec
- Cv**
0.1
- Weight**
8.25 lbs. (3.71 kg)

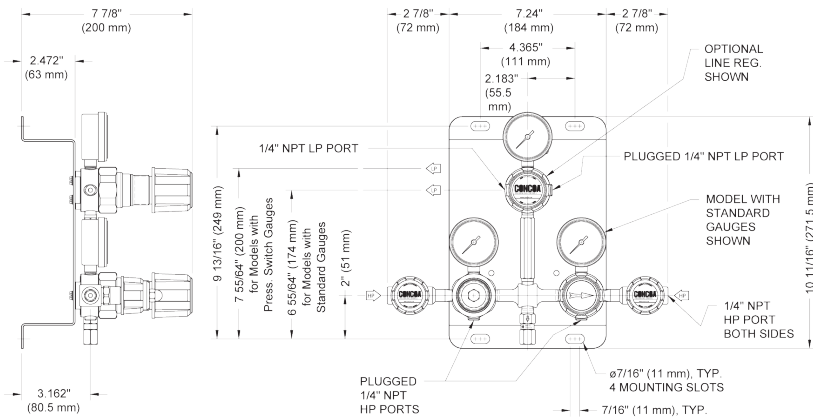
Pressure Differential Switchovers



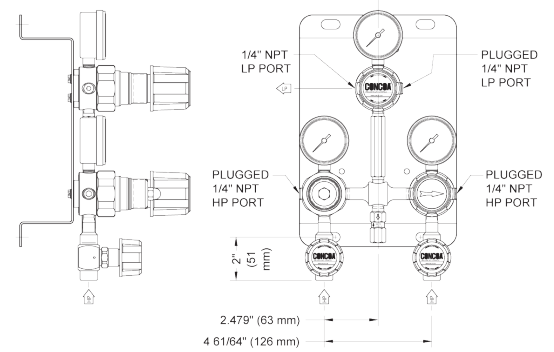
Installation Information

DISTRIBUTION SYSTEMS

Diaphragm Valves on Side Ports



Diaphragm Valves on Bottom Ports



Ordering Information

515	A	B	C	D	-CON
Series 515	Switching Pressure (Priority R/L)	Inlet Connection	Line Regulator	Assembly	Installed Options
	4: 200/170 PSIG (13.5/11.5 BAR)	0: 1/4" FPT ports	0: None	1: 0-4000 PSIG/0-28,000 kPa gauges no alarm capability	Please specify inlet connection (if applicable)
	5: 500/470 PSIG (33.8/31.8 BAR)	1: 36" (900mm) stainless steel flexible hoses	1: 0-15 PSIG (0-1 BAR)	2: 0-280 BAR/4000 PSIG gauges no alarm capability	CGA
	8: 300/270 PSIG (21/18 BAR)	3: 24" (600mm) stainless steel flexible hoses	2: 0-50 PSIG (0-3.5 BAR)	4: 0-280 BAR/4000 PSIG gauges with pressure switches* and remote alarm (110/220 VAC)	DIN 477
		4: Diaphragm valves with 1/4" FPT port	3: 0-100 PSIG (0-7 BAR)	8: 0-280 BAR/4000 PSIG gauges with pressure switches* and without remote alarm	BS 341 and others available
		5: Diaphragm valves with 36" (900mm) hoses	4: 0-250 PSIG (0-17 BAR)	<i>* Intrinsic safety barriers are required for flammable gas service or for use in hazardous environments.</i>	
		7: Diaphragm valves with 24" (600mm) hoses	5: 0-400 PSIG (0-27 BAR)		
		A: 24" (600mm) stainless steel flexible hoses with diaphragm valve	7: 0-150 PSIG (0-10 BAR)		