

# GAS FILTER 77 / BRONZE



## WITT gas filter for GOX : Best practices in Safety, with maximum Operability.

In addition to removing contaminants, WITT's Filter 77 – O<sub>2</sub> drains out condensate, protects downstream equipment and extends service life. All designed to meet the **Best practices in Safety, with maximum Operability.**

### Description :

- Bronze (Cu89/Sn11) 50 µm filter element
- O-Ring Elastomer FKM (FKM 938)
- -30 °C to +60 °C
- Up to 40 bar
- Connections G 3/4 F

### Meeting the Best Practices in Safety :

- Meets all the requirements of EIGA Guideline IGC Doc 13/12/E "Oxygen Pipeline and Piping Systems"
- Certification by BAM (German Federal Institute for Materials Research and Testing) for O<sub>2</sub> service
- Pre-cleaned to EIGA Guideline IGC Doc 13/12/E, and ready for O<sub>2</sub>
- Withstands maximum line pressure (40 bar) even if it becomes clogged
- No velocity limitation, including during commissioning "blow-out" testing
- Not subject to a minimum thickness requirement (per Appendix D of EIGA Guideline IGC Doc 13/12/E).

### With maximum Operability :

- Reliable filtering performance increases service life of downstream fittings and equipment
- Condensate can be collected and removed using condensate drain
- Change of filter element possible while installed, due to user-friendly design
- High flowrates owing to its flow maximising design (please see flow curves overleaf)
- Easy to install
- Easy to maintain - the condensate should be drained at regular intervals, and the filter element should be checked regularly and replaced if necessary in accordance with Appendix F of EIGA Guideline IGC Doc 13/12/E.

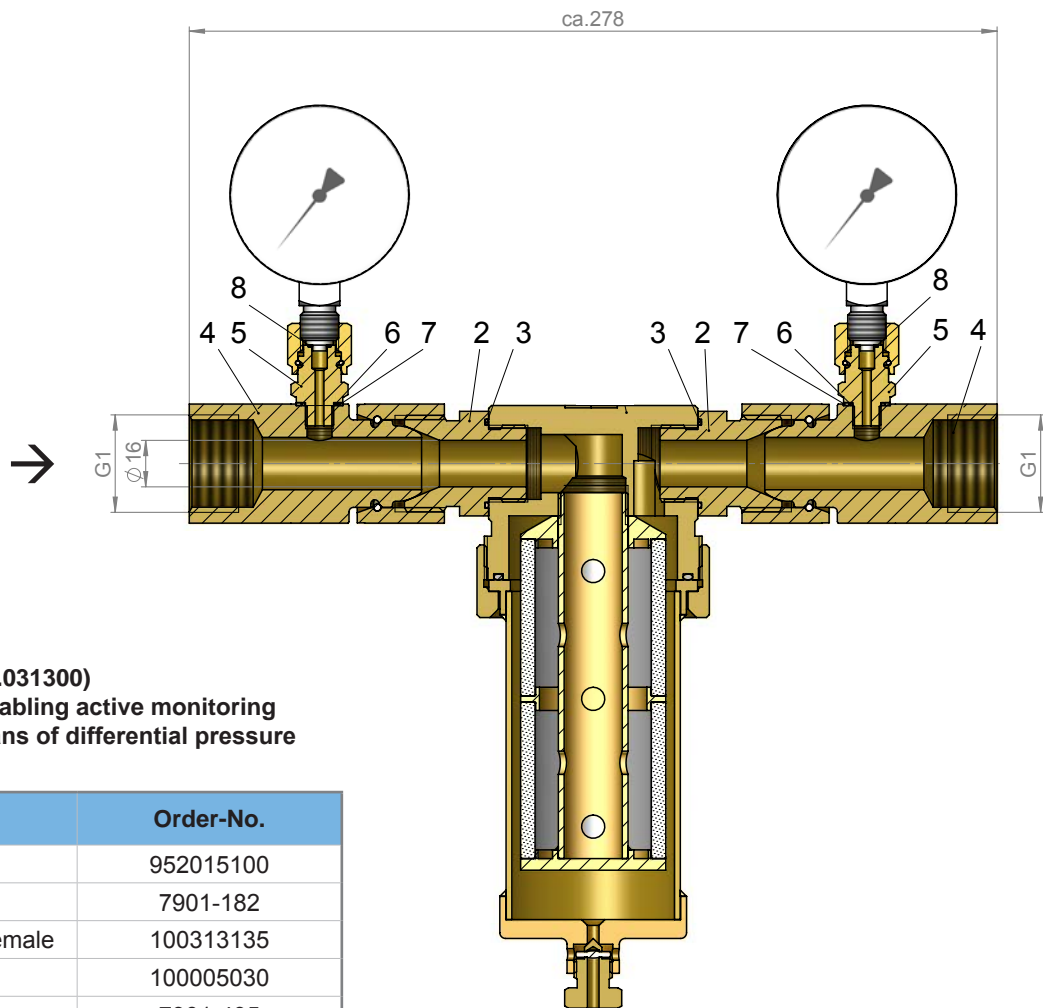
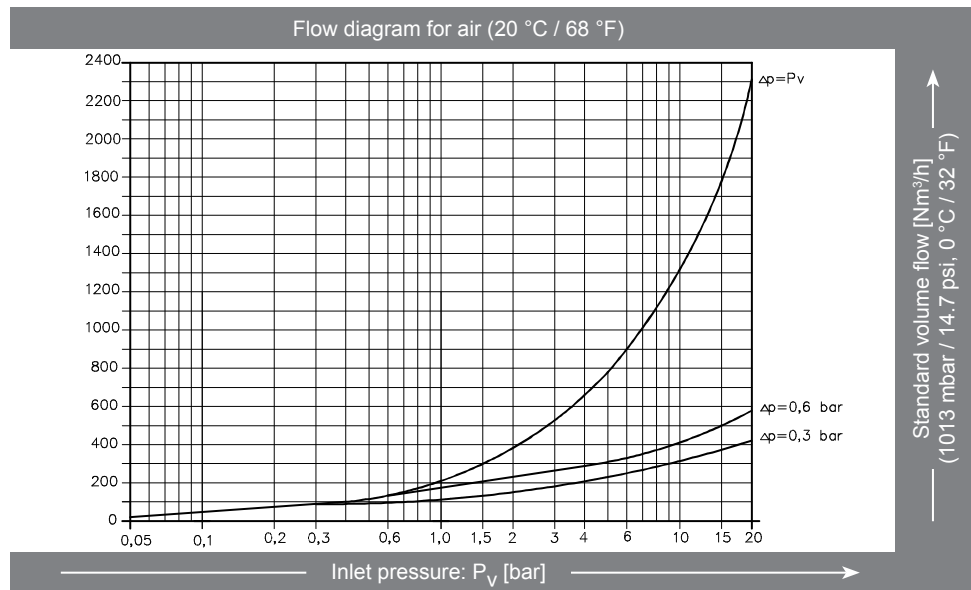


Model	Max. working pressure [bar]	Material	Filtering fineness	Weight [kg]	Connection [inch]		Order-No.
					Inlet	Outlet	
77 (bronze) BAM tested	Oxygen (O)	40.0	50 µm	3.0	both sides	G 3/4 F	077-010
	Ethylene (E) LPG (P) Natural gas (M) Hydrogen (H) Town gas (C) Compressed air (D)	50.0					
Replacement filter inserts of bronze							FI-077B

GF2.1 - B06/E6 subject to change

77

- Conversion factors:
- Acetylene x 1.04
  - Butane x 0.68
  - Natural Gas x 1.25
  - Methane x 1.33
  - Propane x 0.80
  - Oxygen x 0.95
  - Town gas x 1.54
  - Hydrogen x 3.75



**Installation-kit (Order-No. 966.031300)**  
 for a complete installation, enabling active monitoring  
 of filter contamination by means of differential pressure  
 consisting of:

Position	Description	Order-No.
002	screwed coupling	952015100
003	O-ring (FPM)	7901-182
004	coupling female - female	100313135
005	screwed coupling	100005030
006	O-ring (FPM)	7901-495
007	washer	801914801
008	O-ring (FPM) 4.47x1.78	7901-001